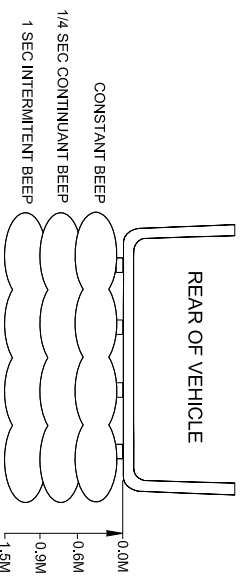
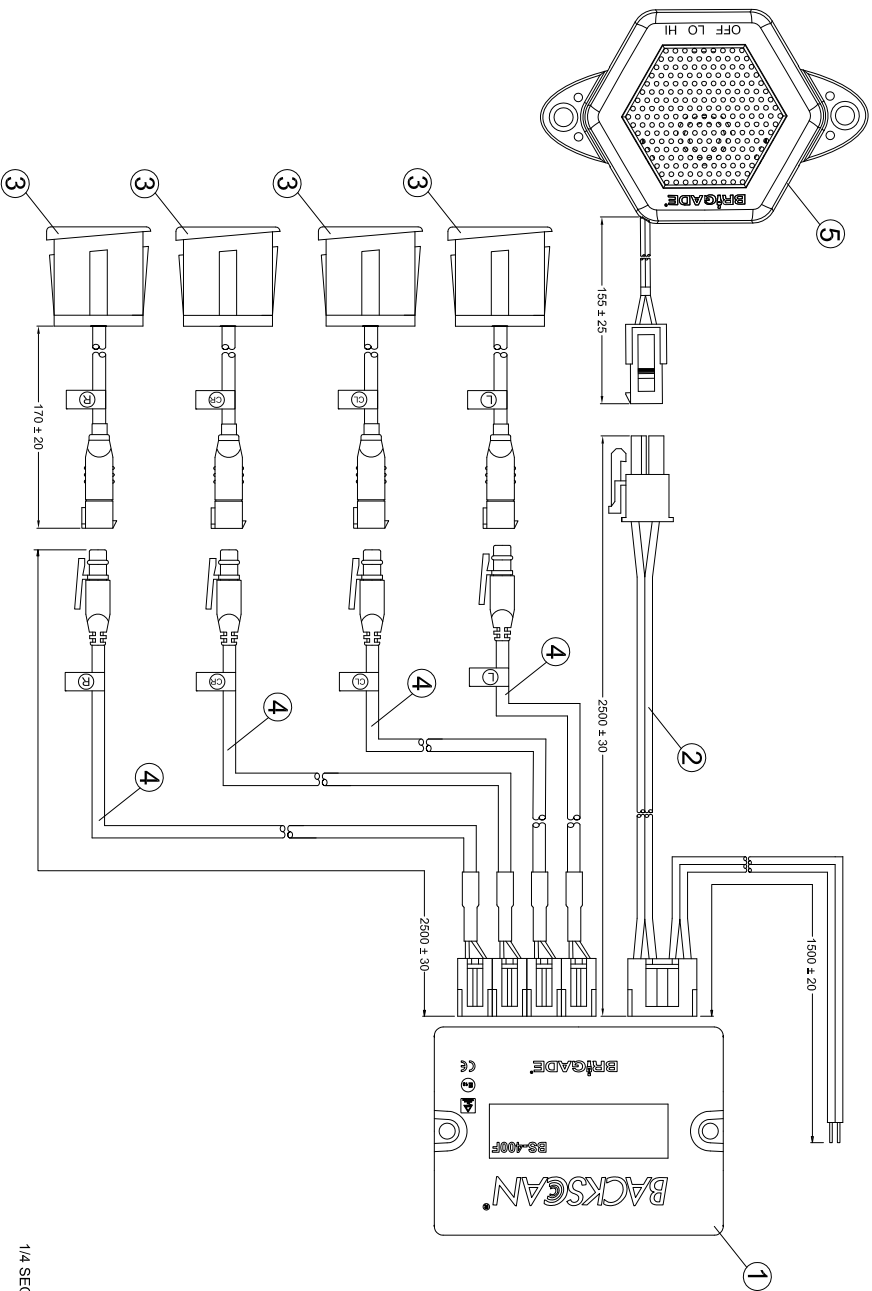


ITEM	STOCK CODE	QTY	DESCRIPTION
1	#2792	1	BS-400F ECU
2	#3078	1	BS-PWRF
3	#2599	4	BS-KMMA
4	#3076	4	BS-2.5SCF
5	#1513	1	BS-009BZ
6	#3066	1	BS-FIXF (NOT SHOWN)
7	#3085	1	BS-FF (NOT SHOWN)



NOTES:
 DIMENSIONS IN MM.
 REFER TO COMPONENT DRAWINGS FOR COMPONENT DETAIL.
 REFER TO PRODUCT SPEC FOR PRODUCT SPECIFICATIONS.

PROPRIETARY NOTICE
 THIS DESIGN AND TECHNICAL INFORMATION APPEARING ON THIS DRAWING IS THE PROPERTY OF BRIGADE ELECTRONICS PLC, AND IS DISCLOSED IN CONFIDENCE. IT IS NOT TO BE COPIED, REPRODUCED, REVEALED TO OR APPROPRIATE BY OTHERS, EITHER IN WHOLE OR IN PART WITHOUT THE EXPRESS WRITTEN CONSENT OF BRIGADE ELECTRONICS PLC.

REV NO	REVISION NOTE	DATE	SIGNATURE	CHECKED

ITEM REF	QUANTITY	TITLE/NAME, DESIGNATION, MATERIAL, DIMENSION ETC	ARTICLE NO./REFERENCE
DESIGNED BY M.BUTLER	CHECKED BY D.KERAI	APPROVED BY S.MATTHEWS	DATE 27/08/09

BRIGADE ELECTRONICS PLC		BS-400F_KMMA (#2608)
BE-000874-00-09	EDITION 0	SHEET 1/1